

# octopussy 1500 evo



## **DESCRIPTION OF THE TECHNICAL FEATURES**

Aerial platform installed on a self-propelling tracked vehicle, designed for aerial access and work at a height where a wheeled vehicle cannot be used, i.e. steep or sandy terrain, areas that are difficult to access or with reduced dimensions (churches, museums, theatres, etc) and areas with a low concentrated specific capacity (such as floors of garages or basements).

### **BASE FRAME**

Sheet steel structure. Tracked vehicle with rubber tread with a wide support base, driven hydraulically. The tracks have independent hydraulic traction and are equipped with negative safety brakes and can be used on slopes with gradients of up to 20% in the travel direction. These tracks are mounted on a connecting-rod parallelogram moved by hydraulic cylinders that permit simultaneous vertical and horizontal movement.

### **STABILIZATION**

Stabilization is provided by 4 supports that are operated by hydraulic pistons. The plate resting on the ground is connected to the lower part of the stabilizer and can move in all directions to adapt perfectly to the terrain. When at rest, the stabilizers retract completely.

Optional: The stabilizers have a radial orientation system that enables the most suitable stabilization position required to be defined and consequently activates the required limitations to rotation and outreach. This system permits 3 positions of the stabilizer:

- \_ at rest
- \_ intermediate sector
- \_ total sector

### **ARM-BEARING TURRET**

Made of heavy-duty sheet steel that rotates on a fifth wheel with a double row of bearings equipped with a worm screw that enables it to be moved. All the electrical and hydraulic systems are located on the arm-bearing tower, as is the engine that generates the hydraulic power necessary for machine operation.

### **AERIAL STRUCTURE**

Consists of a double pantograph plus operating arm with jib. This configuration enables the profile of the machine at rest to be minimized and at the same time it ensures the optimal performance



## **OIL&STEEL SPA**

paid up  
Via Verdi 22  
02313650364  
41018 San Cesario Sul Panaro  
Modena - Italy

subject to management and coordination

of PM Group spa, a company with a sole director

Registered with Companies Register of Modena as R.E.A. 282202 www.oilsteel.com – info@oilsteel.com  
Tel. +39 059 936811 Fax +39 059 936413

SHARE CAPITAL €362,400.00, fully

TAX CODE/VAT NUMBER

of which machines equipped with such systems are capable. The special design of the swivelling jib fixed to the end of the operating arm ensures, owing to its special design, an intervention operating field of 160°, enabling almost any configuration to be reached.

### **OPERATORS' PLATFORM**

It is made entirely of aluminium and to provide the operators with easy access, it has a generously proportioned front opening that is guarded by a bar that shuts through the force of gravity. The platform has a rapid release that enables the space that it occupies during transit of the equipment to be minimized. The support structure of the platform is in turn provided with a rotation system that enables the platform to be oriented hydraulically by 45° to the right and 45° to the left.

### **PLATFORM LEVELLING**

It uses a hydraulic parallelogram that is able to correct the position of the platform in the event of misalignment.

### **CONTROLS**

Hydraulic, with a dual position: on platform and on turret. The commands and controls for the engine are located on the arm-bearing turret. The translation and stabilization operations are controlled by a hydraulic distributor with independent operations. The control distributors of the arm have sensitive proportional levers. The distributor on the platform is used to level the platform manually. The self-retaining emergency and engine stop switch is located in all the command and control positions.

### **STANDARD SAFETY DEVICES**

- Hooks for safety belts
- Fixing attachments on the frame of the machine during conveying
- Device on self-locking rotation
- Arm/drive motion interlock
- Use and maintenance manual
- Outreach limiter
- Manual pump for emergency descent
- Thermal overload protection on electrical system
- Drive-motion intermittent acoustic alarm
- Max. valve on hydraulic circuit
- Stop valves on all cylinders

### **SERIALLY MOUNTED ACCESSORIES**

- Tracked vehicle with hydraulically enlargeable tracks
- Removable platform-reduction of front profile down to 78 cm by mechanical removal of operator platform
- 220/110VAC, 2.2 kw monophase auxiliary electric pump comprising an electric control panel and battery charger supplied from an external network including a 220/110v monophase power socket
- 2 safety belts
- Machine operation hour counter
- Wired command for drive motion and stabilization
- Machine protection guard kit
- Hydraulic rotation of platform





- Luminous position indicators installed on stabilizer arms warning that stabilization has occurred
- Petrol engine: electronic Honda, 15 hp

## FEATURES AND PERFORMANCE

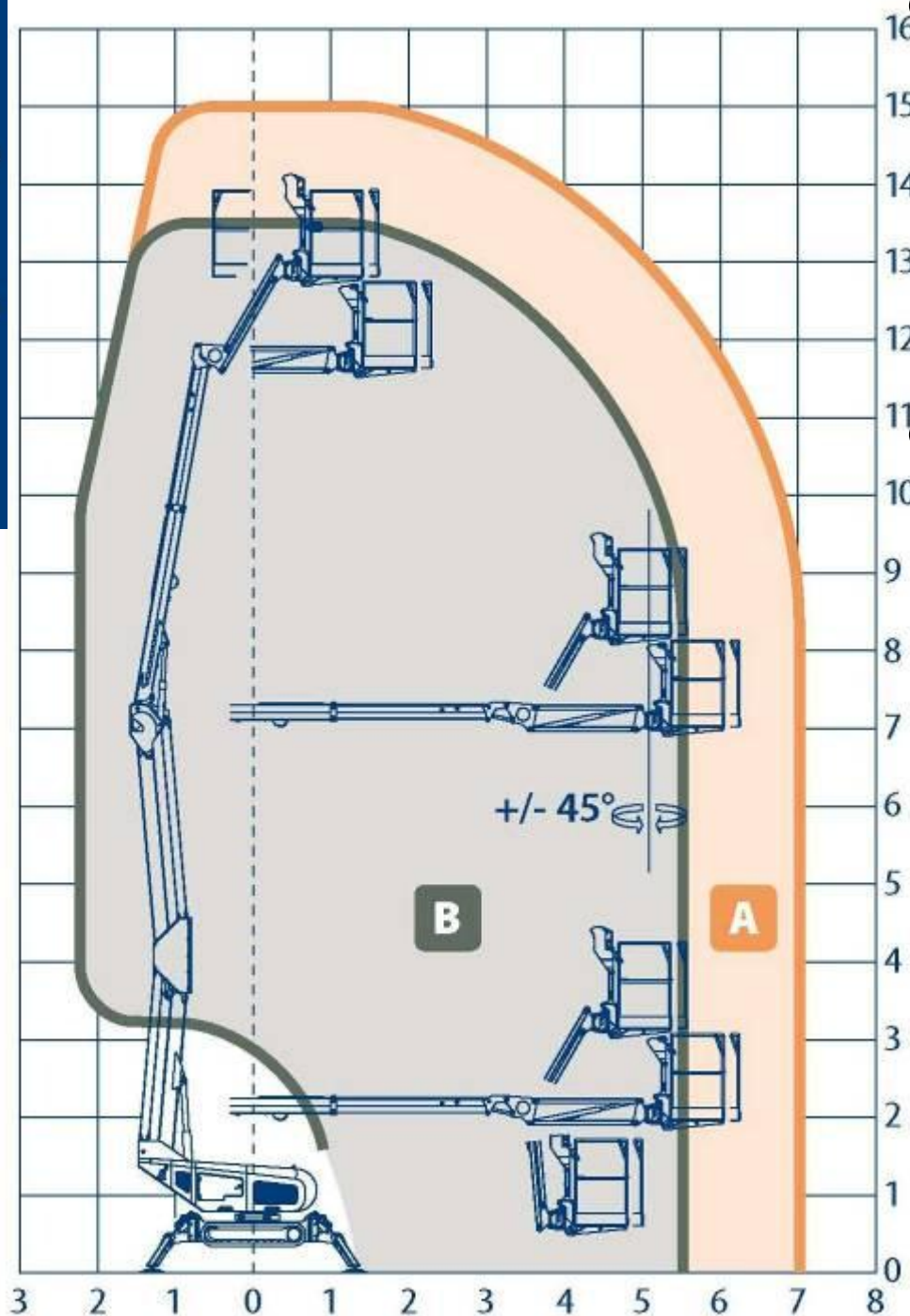
|  |                            |
|--|----------------------------|
| <b>Length</b>  | 3800 mm (without platform) |
| <b>Width</b>   | 780 mm                     |
| <b>Height</b>  | 1,970 mm                   |
| <b>Max. operating height</b>                               | 15 m                       |
| <b>Max. operating outreach</b>                             | 7 m                        |
| <b>Maximum capacity</b>                                    | 200 kg/2 operators         |
| <b>Max. number of operators</b>                            | 2                          |
| <b>Dimensions of aluminium removable operator platform</b> | 1400 x 700 x h1100 mm      |
| <b>Angular outreach of telescopic arm</b>                  | From 0° to +75°            |
| <b>Max. incline</b>  | 28%                        |
| <b>Controls</b>  | Hydraulic                  |
| <b>Operator-platform rotation</b>                          | 45° right + 45° left       |
| <b>Turret rotation</b>                                     | 360°                       |
| <b>Running weight</b>                                      | 2090 kg                    |

## OPTIONALS AVAILABLE ON REQUEST

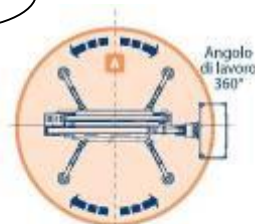
- 12 V AC single-phase electric power socket on platform
- 60 W spotlight on platform powered by batteries including 12 V outlet
- Changeable stabilization (multiple working area)
- Custom stickers on boom ( customer logo-send .jpg file containing logo )
- Hydraulic rotating jib , 45° right + 45° left
- Inclinator with buzzer activated when max permitted tilt is exceed
- Non-standard paintwork ( RAL 9016 white )
- Pair of white non-marking belts for indoor use - instead of standard -
- Platform waxing for sea transport
- Surcharge for Lombardini diesel motor
- Automatic stabilization on wired control
- Wireless radio transmitter for side shifting, stabilization and track opening
- wireless remot control with auto stabilizing
- SAFETY RING system with wireless radio transmitter
- SAFETY RING system with wireless radio transmitter and auto stabilizing



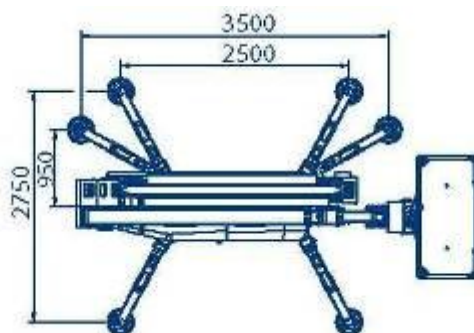
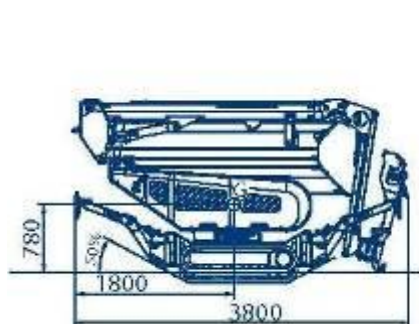
## OPERATING AREA AND GEOMETRICAL FIGURES



standard



optional



**OIL&STEEL SPA**

paid up  
Via Verdi 22  
02313650364  
41018 San Cesario Sul Panaro  
Modena - Italy

subject to management and coordination

of PM Group spa, a company with a sole director

Registered with Companies Register of Modena as R.E.A. 282202 www.oilsteel.com - info@oilsteel.com  
Tel. +39 059 936811 Fax +39 059 936413

SHARE CAPITAL €362,400.00, fully

TAX CODE/VAT NUMBER